



1/10 RC Motorcycle 遥控摩托车 Manual 说明书

型号 Item Name	车架尺寸 Frame Size	轴距 Wheelbase	车重 Full Weight	马达 Motor	电调 ESC	电池 Battery	舵机 Servo
CX3-II T20 GB BL	205x60x121 (mm)	145 (mm)	510 (g)	Brushed 280	Brushed 25A	7.4V/20C 680 mAh LiPo	Digital 1.5kg



X-RIDER MODEL COMPANY LIMITED
骑士模型有限公司
www.cx3rider.com

Thank you for purchasing X-RIDER CX3-II. We believe that this new motorcycle will bring you infinite happiness. Before use, please read the manual carefully and safe keeping. Accidents are caused by illegal use, the company doesn't undertake any responsibility.

The CX3-II is a high performance mini RC motorcycle. This product has like the real motorcycle setting, the perfect design of the front wheels inverted shock absorber and rear wheel pendulum arm suspension, achieves reliable grip performance. Front and rear wheel adopt alloy brake, better reduce speed and braking. The rear wheels using micro alloy steel chain, in order to exert the performance, for maximum enjoyment of this product, please read this manual carefully.

We will have strict testing and debugging before exiting the facility. We promise to customers. Products issue without any material and process problems. We will free for customers to repair within 90 days from the date of purchase. Customer service e-mail: service@cx3rider.com.

The warranty doesn't cover crash damage, modification, failure to maintenance, or the damaged caused by improper use.

The warranty doesn't cover any result which caused by the final user's assembly or the material used for final user's assembly.

Please download the other language versions manual and parts list from our website:
<http://www.cx3rider.com>

感谢您购买 X-RIDER 的 CX3-II 摩托车 相信这一全新产品会给您带来无限欢乐。在使用产品前请您认真阅读产品使用指南，并妥善保管。因违反本手册中的安全注意事项及使用事项而导致的事故，本公司不承担任何责任。

CX3-II 是一款高性能小型遥控 (R/C) 摩托车模型。本产品拥有像真摩托车的设置，前轮倒立式避震和后轮单摆臂悬架的结构，实现可靠的抓地性能。前后轮采用合金刹车，有效减低及刹停速度。后轮采用微型合金链条。为了更加充分的发挥这些性能，更好的体会其中乐趣，请在使用前仔细阅读说明书。

每辆摩托车出厂前都经过严格的测试与调试，我司保证，客户购买的产品打开包装后，无任何材料及工艺方面的问题。购买之日起 90 天内，我司将免费为客户维修。售后联系邮箱为：service@cx3rider.com。

由于碰撞，翻车，用户自行更改配置，属于保养或者任何不当使用引起的损坏，将不在保修范围内。

由终端用户自行安装或自行安装所适用的材料引起的任何问题，亦不属于保修范围。

请登录 X-Rider 网站下载其它语言版本的说明书及配件图：<http://www.cx3rider.com>

【Safety Precautions】【安全说明】

1. The specification of the logo 关于本说明书中使用标识

⚠ Caution: this symbol indicates where caution is essential to avoid injury to yourself or others.

② Note: this symbol indicates where give you a tip in use.

⚠ 注意：此标识提醒您注意避免伤害到自己及他人。

② 提示：此标识是作为一个小提示供使用过程中一个参考。

2. The use of power 关于产品使用的电源

·The product use lithium Polymer battery 7.4V/20C/680mAh.

·Never disassemble the polarity required for installation. This may lead to damage and leakage.

·While charging,the Lithium Polymer battery and charger become hot. Do not charge on top of inflammable materials as this may cause fire.

·Do not operate the DC Peak Charger in direct sunlight or in high temperatures. Continually monitor the charger while charging is in progress.

·Short circuit may cause fire or accident so never disassemble or modify the Lithium Polymer battery.

·Lithium Polymer batteries contain toxic metals. An exploding battery is extremely dangerous so never put in fire.

·本产品使用 7.4V/20C/680 毫安的锂电池。

·请注意电池的正负极，以确保安装正确，错误的安装可能导致电池的损害及毒性物质泄露。

·充电时，锂电池及充电器会变热，请不要在易燃材料上充电，否则可能会导致火灾事故等情况发生。

·请不要在直射阳光下等高温场所进行充电。充电时，请不要长时间在充电附近。

短路可能会导致火灾，请不要分解或更改锂电池。

·锂电池中含有害重金属，如破裂会非常危险，请勿投入火中。

3. The safety of Children 关于儿童安全

·This model is not a toy. It is designed for users over 15 yeas of age.

·As the product includes small and sharp parts, assemble and store this product only in places out of the reach of children.

·此模型不是玩具。它为15岁及以上年龄设计。

·此产品含有微小、尖锐部分，请在组装，使用及保存时避免婴幼儿触及。

4. The safety of User 关于使用者的人身安全

- It's highly recommended that first-time enthusiasts seek the advice of an experienced modeler before operating this vehicle.
- Cutters,wire cutter and screwdrivers need careful handling.
- Do not touch moving gears. They can cause injury.
- During and after operation,the motor and batteries will be hot. Do not touch them until they have had time to cool down.
- 强烈推荐初次接触者在有经验者的指导下组装及操作此产品。
- 请小心使用剪刀，线钳及螺丝刀等。
- 请勿触及转动的齿轮。它们会导致受伤。
- 在模型运行中及运行后一段时间，电机和电池处于极热状态。在其冷却前请勿触及。

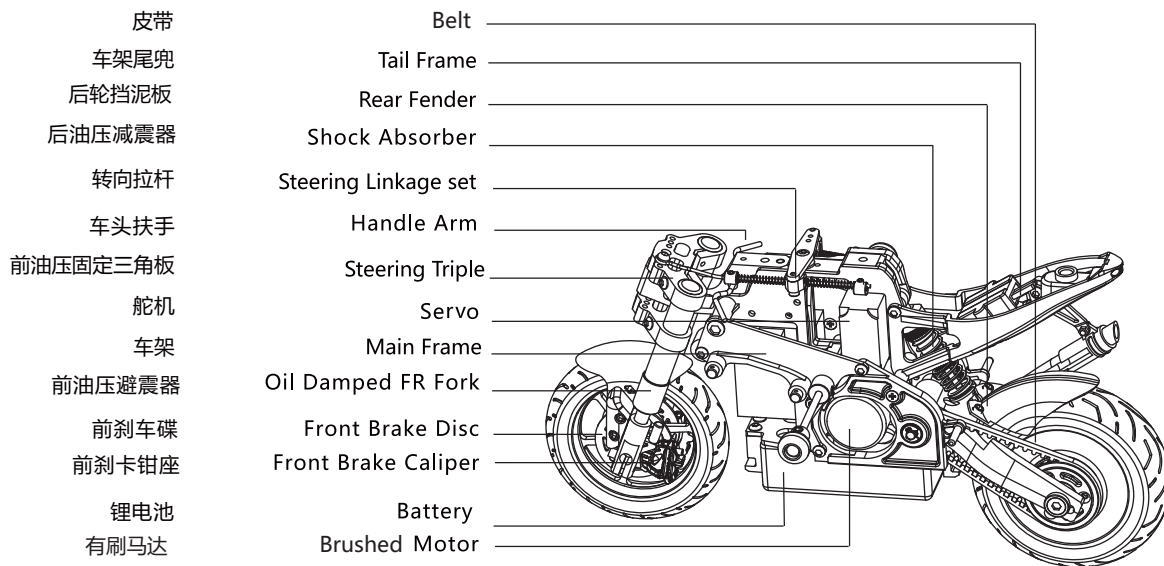
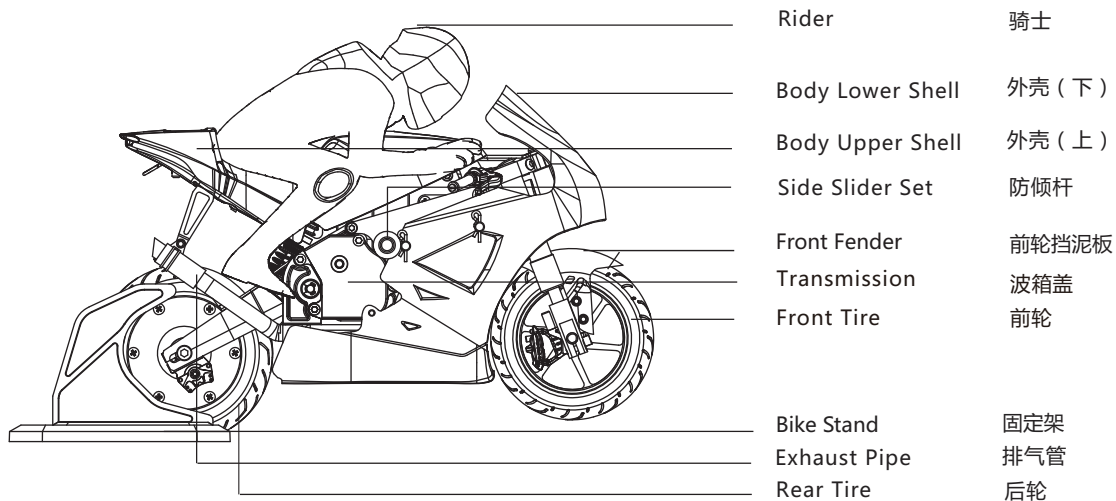
5. The range of use 关于产品的使用范围

- Do not run your car in sandy,dusty,wet conditions,on long wool carpet. Such surfaces can damage its operating parts.
- Do not operate the model on public roads, in crowded places or near infants. It may cause accidents or injury.
- This product emits electrical waves so do not operate: Inside an aircraft. Near automatic devices such as automatic doors and fire alarms. Inside hospitals or medical equipment. Operating may cause accidents.
- 模型禁止在泥沙地，尘土飞扬地，潮湿地，长毛 地毯上行驶。在此类表面行驶可导致零部件损坏。
- 请勿在公路，拥挤地区及儿童附近操纵模型，可能会导致危险情况发生。
- 请勿在飞机、自动门或报警器等自动控制机器附近、医院和电子医疗器械周边等场所内使用，本产品发出的电波信号可能会对上述机器产生影响，造成失误。

6. The maintenance of product 关于产品的维护与保养

- Do not store this model in a high-temperature/humidity area or in direct sunlight.
- Do not use water,alcohol, or thinner to clean your car's body.
- Simply wipe it down with a clean,soft cloth.
- 请避免将模型放置在高温、潮湿及阳光直晒处。
- 请勿使用水、溶剂等清洗车壳。
- 请用清洁软布擦拭。

【Illustration of Main Parts / 产品主要部件图示】



【Ready To Run Preparation / 跑前准备工作】

Step1. Check all the parts in the box. 检查包装里的部件

When you open the box, you will find follow parts 打开包装盒, 有以下部件:

摩托车	遥控器	固定架	骑士	配件包	说明书	贴纸	充电器
Motorcycle	Remote Control	Bike Stand	Rider	Accessories	Manual	Sticker	Battery Charger
1set	1set	1pc	1set	1package	2pcs	1pc	1pc

Accessories Package 配件包明细:

防倾杆组	滚轮	排烟管	R扣	垫片	7字小扳手	机米 3x3	自攻杯头螺丝 M2x6	杯头螺丝 M1.6x10
Side Slider Arm	Slider Roller	Exhaust Pipe	Hexagon Socket Screw Keys	R-clip	Spacer	Grains M3x3	Socket Head Self-tapping ew M2x6	Socket Head Screw M1.6x10
2set	6pcs	1pc	1pc	10pcs	1pc	2pcs	2pcs	2pcs

Equipment Required 以下配件客户需要单独购买:

4-Cell AA Battery for Remote Control, 4节5号电池用于遥控器,
Silicone Oil, Screw Glue, Tire Rubber. 润滑油, 螺丝胶, 轮胎胶。

Tool Required: 以下工具在操作中有可能会使用到:

Hex screwdriver, Cross Wrench, Cross Screwdriver, Tweezers, Hex Wrench.
内六角螺丝刀, 车用小十字扳手, 十字螺丝刀, 镊子, 内六角扳手。

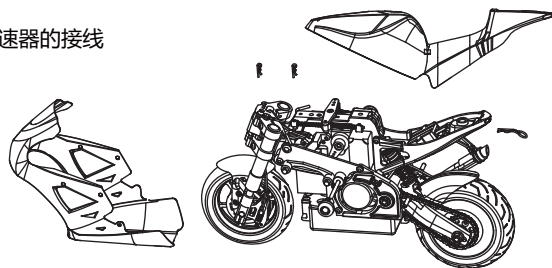
Step 2. Remove the R-Clip and the body shell 将车壳和车尾壳底部的R扣拆下并取出上下壳

Step 3. Connect the battery with the ESC 连接电池与电子调速器的接线



the ESC in off state. Do not reverse the positive and negative charges.

注意: 电池连接电调前, 请保持电调处于关闭状态接线时不要接反正负极。



Step 4. Double check all the power system is connecting

检查全车电子件的连接线是否有松动，如有松动需连接回去

Step 5. Install the remote control battery and check the remote control is working properly or not.

安装遥控器电池并检查遥控系统是否正常工作

Note : The first use the ESC or New use of the remote control must re-calibrate the ESC. Please refer to the manual of the ESC.

备注：第一次使用电子调速器或者使用新的/不同的遥控器时，都必须对电子调速器进行重新校准。

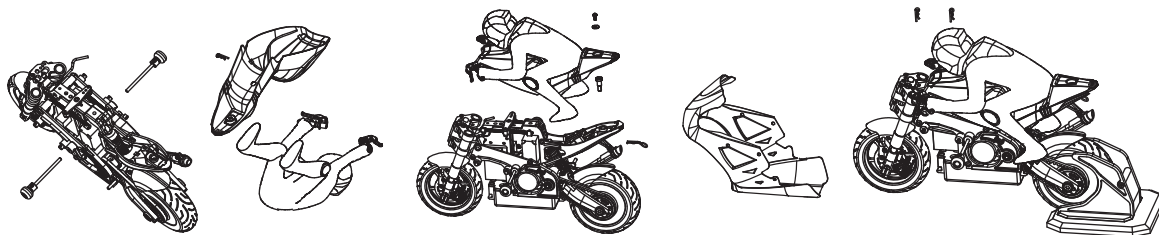
具体的校准方式请参考电子调速器的说明书。

Step 6. Install the anti tilt rod roller group, toy and shell.

安装摩托车的防倾杆滚轮组、公仔与外壳

In order to avoid the damage in the transportation process, we pack the anti tilt rod roller group. When open the package, find the parts, install and fix well.

为避免运输过程中受损，在包装时已将两边的防倾杆滚轮组、公仔拆除另外包装。用户打开包装后，找到防倾杆滚轮组、公仔并与外壳重新安装固定好。



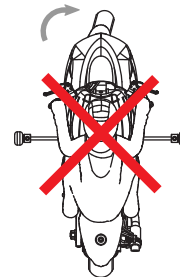
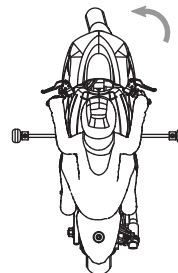
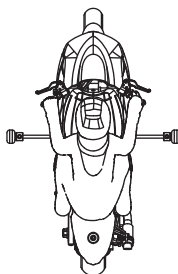
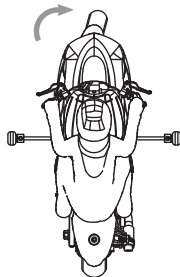
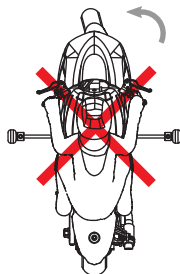
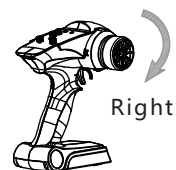
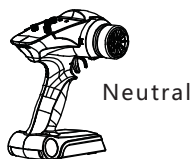
- 1) Take out the side slider set form accessories package ,and then put the side slider set into the side slider arm post lock each of the grains
 - 2) Install the rider in the body upper shell, fix the tail of the body upper shell with R-clip.
 - 3) Install the body lower shell on the main frame, fix the body shell post with the R-clip.
- 1)从配件包里拿出防倾杆滚轮组，然后将防倾杆滚轮安装到车架的插孔位置，并将每个插孔上的机米锁紧。
- 2)将公仔安装在车壳（上），车尾壳的底部的用R扣固定住。
- 3)将车壳（下）安装上车架，车壳柱穿过车壳并用R扣固定住。

【Steering Setup / 正确行驶的技术要领】

Basic Controls: 基本操作

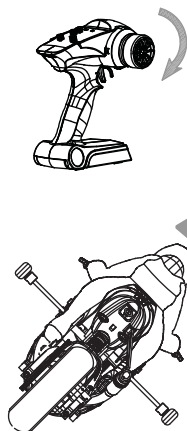
⚠ Caution : RC Motorcycle comes with a Counter-Steering System. It means the direction between the transmitter steering wheel and the motorcycle front wheel are opposite.
Please set the reverse (ch1) in R state on the transmitter

⚠ 注意：遥控摩托车的操作系统是反向的，遥控器的操控轮与摩托车前轮的方向相反。开机之前先把发射机上接收（通道1）的开关拨向R。



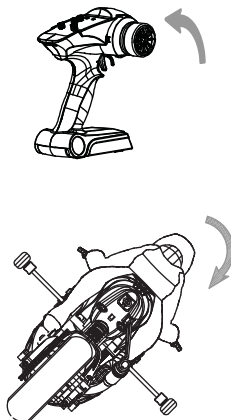
【Steering Setup / 正确行驶的技术要领】

To return the motorcycle from a leaning posture to an upright posture, turn the steering in the opposite direction to the lean. 使摩托车从倾斜位置到直立位置时，请反方面调节。



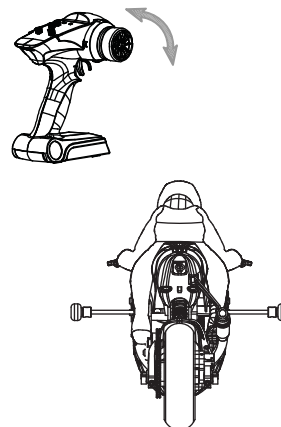
To make a right turn, turn the steering wheel to the right. The motorcycle should lean to the right.

向右倾斜时，摩托车右转。



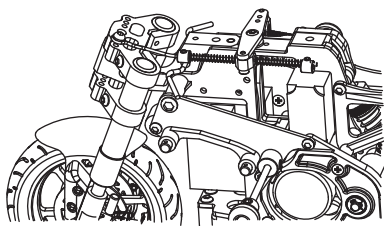
If the balance bar touches the ground, the motorcycle will not turn well. Turn steering left to return to upright posture.

当防倾斜杆接触地面时，车子会走得不顺畅；
请右调方向轮，摩托车回到直立位置。



When upright, straighten (neutral) steering.

当直立位置时，方向轮在中立位置。



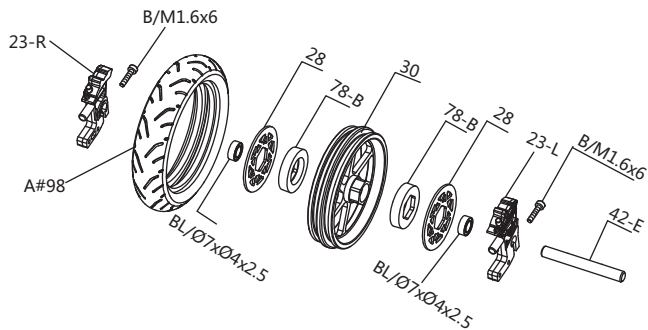
Steering Wire :

If the motorcycle does not run straight even after adjusting the steering trim or steering movement is not responding properly. It is possible the steering arm is bent. In this case, please use the include tweezers to gradually, while not operating the steering.

转向金属钢丝：

如果在调整转向微调后摩托车仍然不能直线行驶或者转向正确的方面，很有可能是因为转向金属钢丝弯曲了，这种情况，请在不操作转向的状态下，通过工具，将转向金属钢丝向中心位置调整。

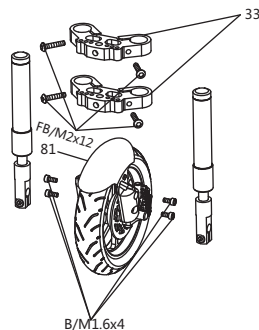
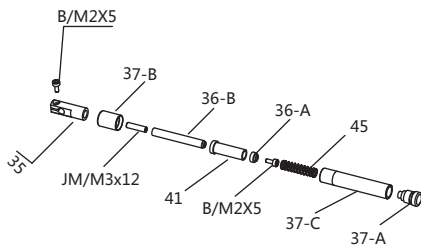
【P2-1】



Note : Please secure the rim and the tire
① with tire rubber after finishing assembly.

提示 : 安装完成后请将轮毂与轮胎用轮胎胶固定。
①

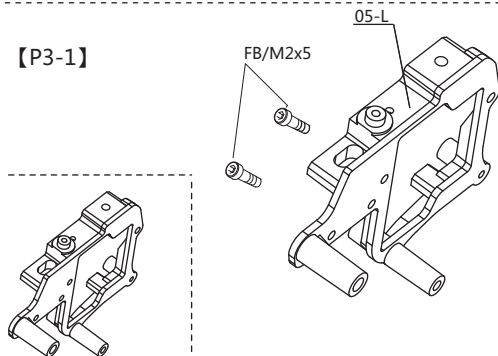
【P2-2】



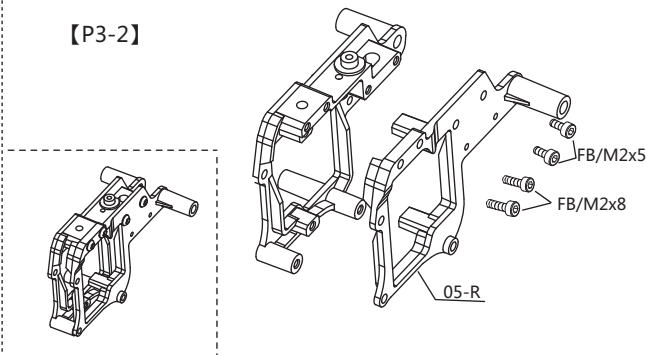
② Note : Apply gear silicone oil#10000 on the shaft and the spring.

② 提示 : 管身和弹簧涂上#10000号专用波箱润滑油。

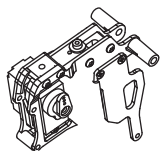
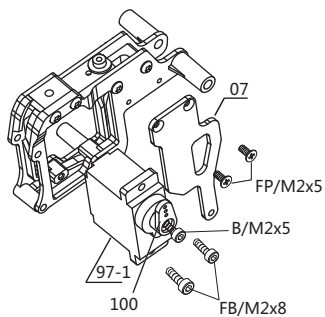
【P3-1】



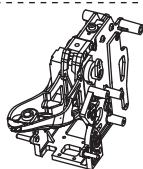
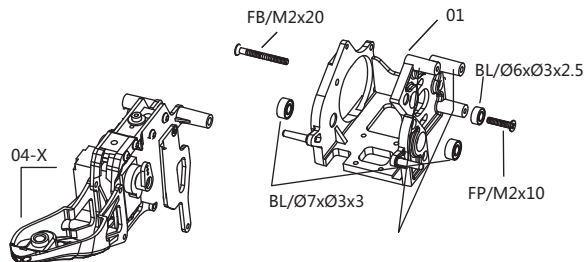
【P3-2】



【P3-3】



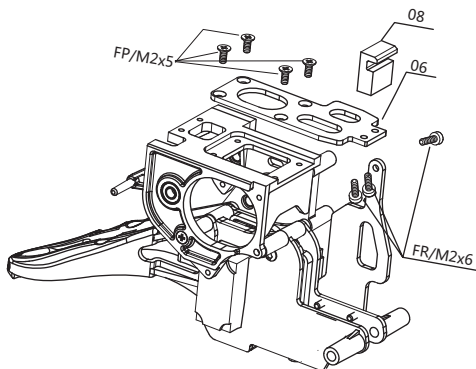
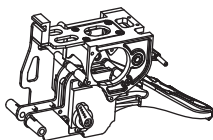
【P3-4】



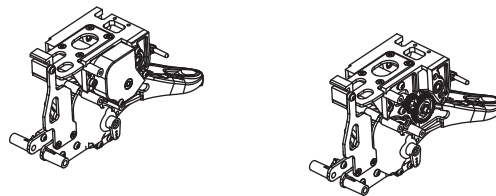
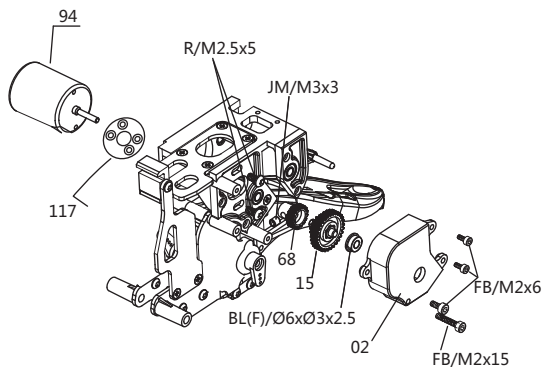
Note : These three frame posts is individually
 ② on the metal transmission, should use the socket head screw M2x12(2pcs)& M2x20(1pc)screwing down the metal transmission.

提示：使用金属波箱时此3根车架柱为独立的，
 ② 需用杯头螺丝M2x12(2个)和M2x20(1个)锁紧波箱。

【P3-5】



【P3-6】



Caution: The space between the two gears should be the same thickness as one piece of A4 paper. We can put one piece of A4 paper between the two gears before assembly and take it away after finish.



Note: Before locking round head screw M2.5x5, pls use a spacer.

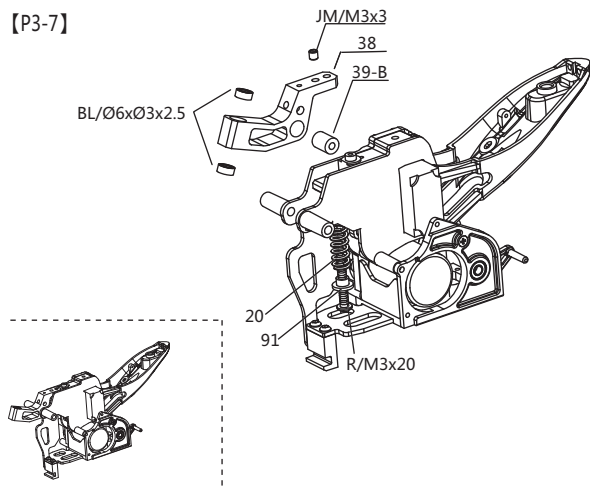


Use the metal transmission and the metal transmission cover, it should be use R/M2x4,R/M2x12&B/M2x5.

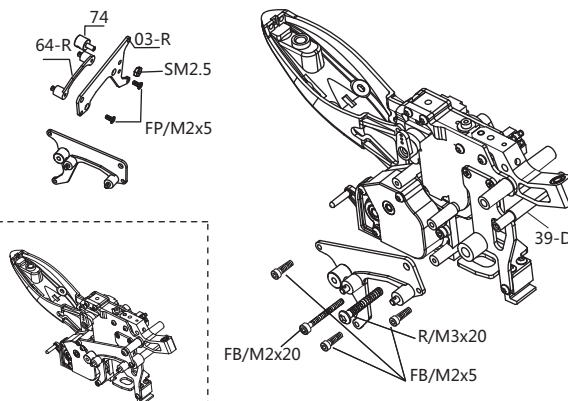
注意：两个齿轮之间的空隙 应为一张A4纸的厚度，安装之前我们可以在
⚠️ 齿轮之间放一张A4纸，安装完成之后，再将A4 纸从齿轮间抽掉。

提示：锁R/M2.5x5螺丝时先垫上垫片，金属波箱盖时自攻杯头螺丝M2x6和
② M2x15分别改用圆头螺丝M2x4,M2x12T和杯头螺丝M2x5.

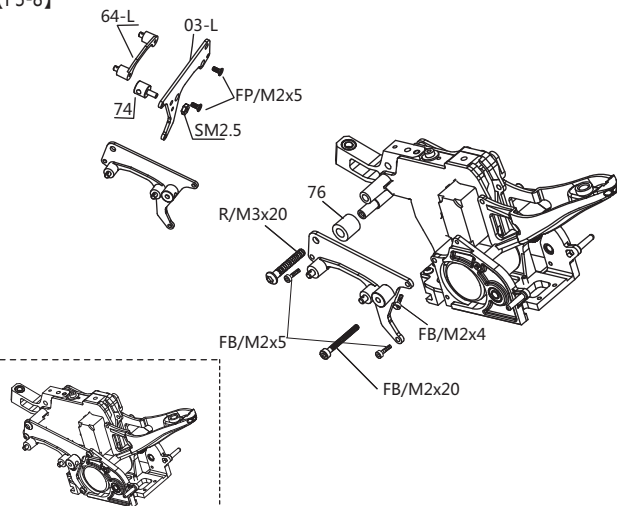
【P3-7】



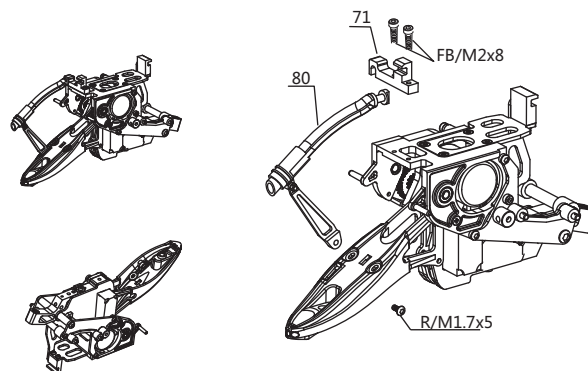
【P3-8】



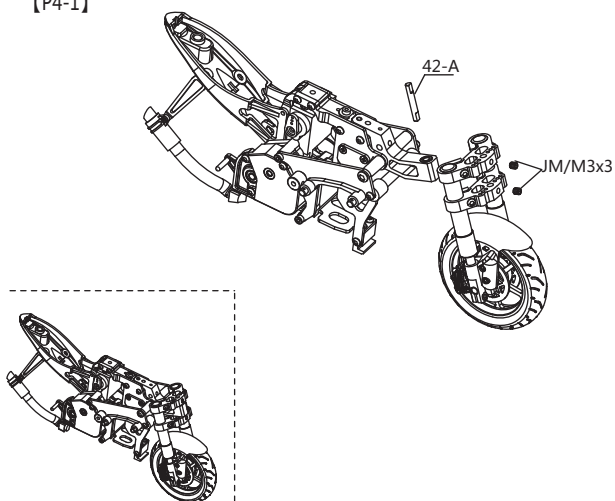
【P3-8】



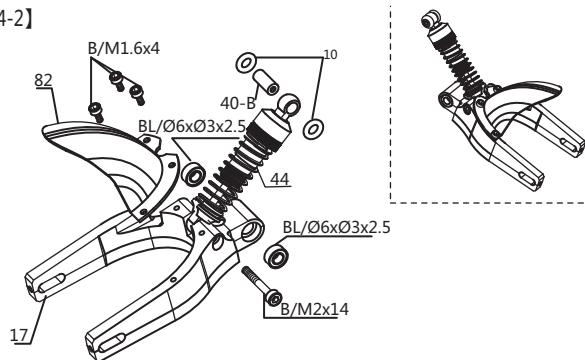
【P3-9】



【P4-1】



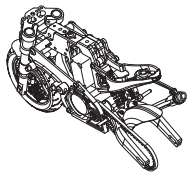
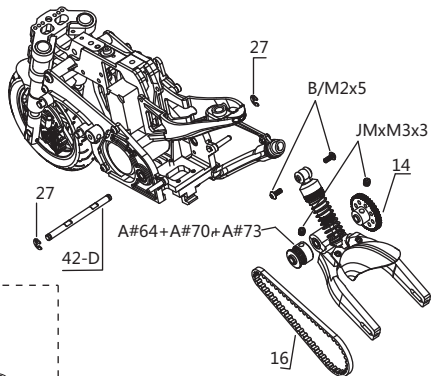
【P4-2】



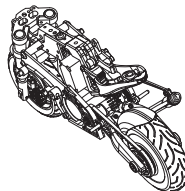
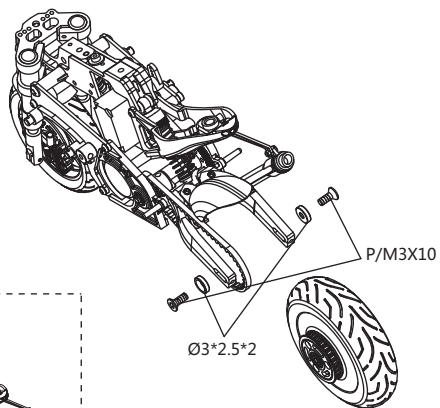
Note: The user could adjust the effect of the rear suspension according to different racing ground by installing shock body spacer.

⑦ 提示：用户可根据实际路况使用垫片调节后减震强度。

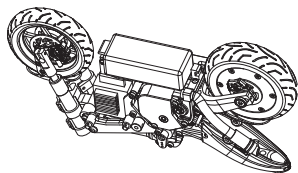
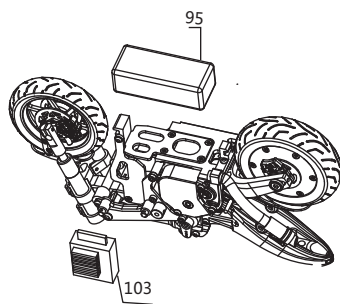
【P4-3】



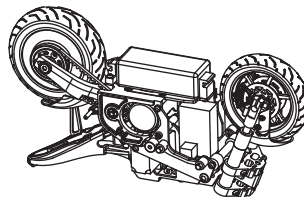
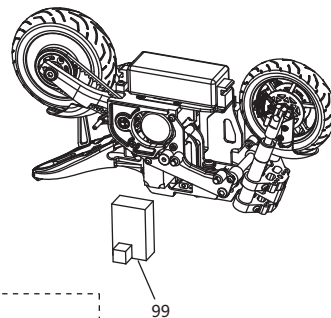
【P4-4】



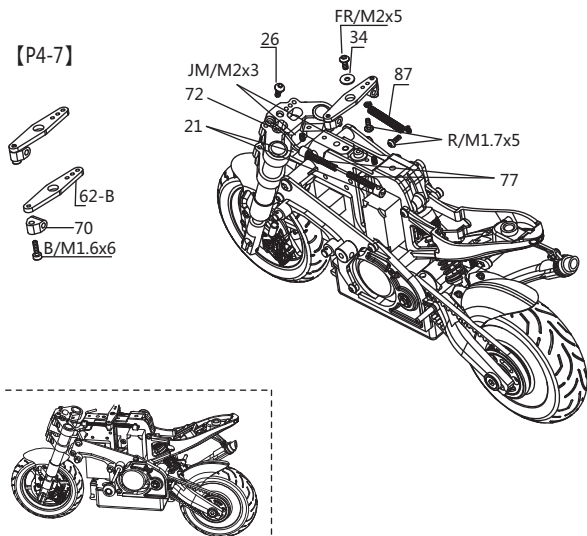
【P4-5】



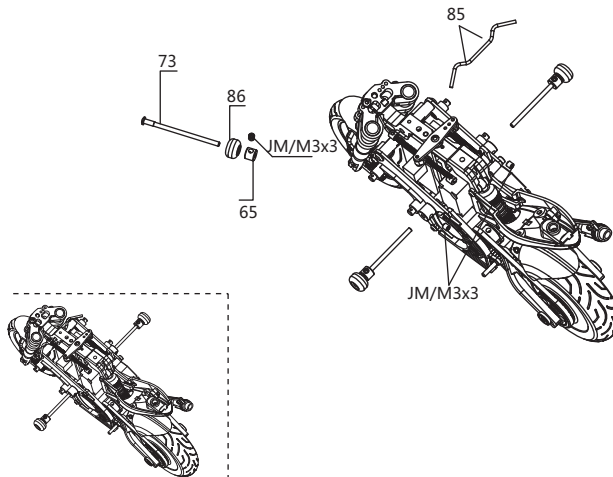
【P4-6】



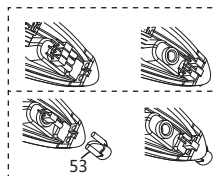
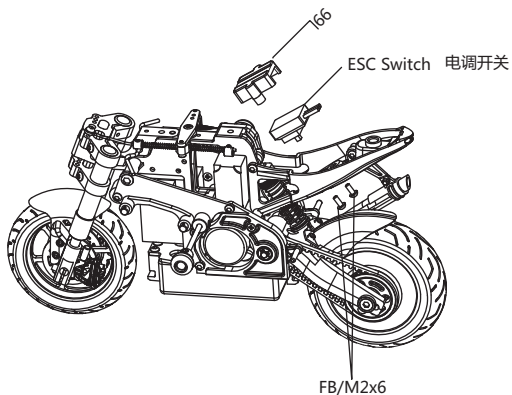
【P4-7】



【P4-8】



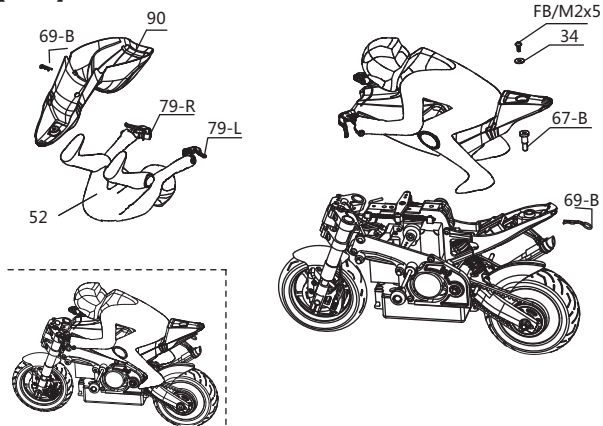
【P4-9】



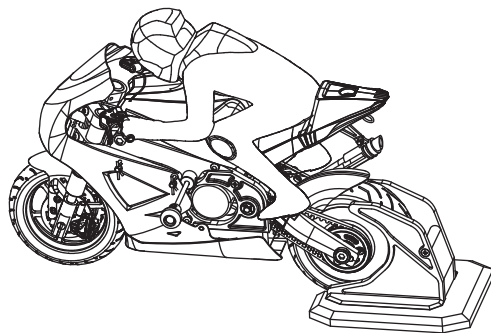
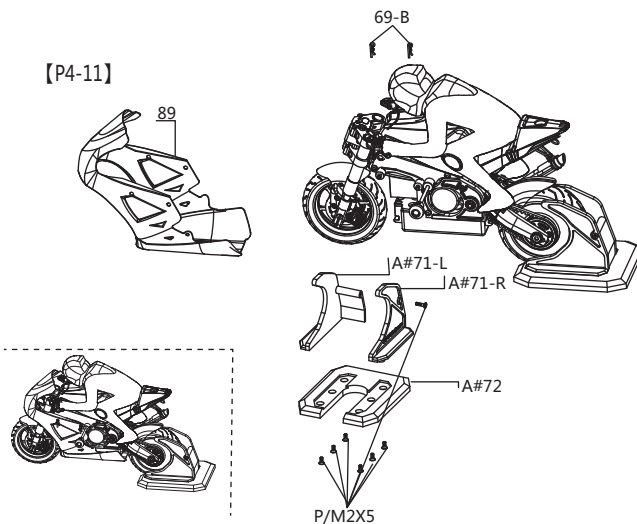
Note : Factory have made sp for the LED light and exhaust pipe on the tail frame part, the user can according to personal preference to install.

② 提示：在尾兜部分预留了LED灯与排气管的位置，客户可根据个人喜好安装。

【P4-10】



【P4-11】



Caution: Before you power on the motorcycle, please make sure the bike stand of the motorcycle is not on metal or conductive surface, unless it may cause short circuit and the ESC may get burnt.



注意：摩托车通电之前，请确认固定架底座没有放在金属或者易导电材质的桌面上，以免短路烧坏电调。

CX3-II T20 GB BL Parts List 零件表

Ref.No./图号	Part No./零件编号	Part Name	/	零件名称	Qty/数量
01	CX200101	Transmission		波箱	1
02	CX200201	Transmission Cover		波箱盖	1
03-L	CX200301	Frame Side Plate		车架侧板	1
03-R	CX200302	Frame Side Plate		车架侧板	1
04	CX200402	Tail Frame		车架尾兜	1
05-L	CX200501	Main Frame L		车架	1
05-R	CX200502	Main Frame R		车架	1
06	CX200601	Battery Frame		电池固定板	1
07	CX200701	ESC Frame		电调固定板	1
08	CX100801	Battery Fixed Hook		电池固定钩	1
10	CX101001	Rubber O-ring		O型橡胶圈	2
11	CX101101	Washer		平垫圈	4
14	CX201401	38T Spur Gear		38T波箱减带齿	1
15	CX201501	Spur Gear		马达减速齿	1
16	CX201601	Driver Chain		皮带	1
17	CX201701	Rear Swing Arm		后摇臂	1
20	CX102001	Buffer Spring		缓冲弹簧	1
21	CX102101	Cable Post		钢丝定位	2
22	CX302201	Rear Brake Caliper		假后刹车卡钳	1
23-L	CX302301	Front Left Brake Caliper		假前左刹车卡钳	1
23-R	CX302302	Front Right Brake Caliper		假前右刹车卡钳	1
26	CX102601	Round Shoulder Screw		限位螺丝Ø2.5XØ1.5XM2X4	1
27	CX102701	E Clip		E扣	2
28	CX102801	Front Brake Disc		前刹车碟	2
29	CX102901	Rear Brake Disc		后刹车盘	1
30	CX203001	Front Rim		前轮轮圈	1
33	CX203301	Steering Triple		减震器固定板	2
34	CX103401	Spacer		垫片Ø6XØ5x2.5	1
35	CX103501	Fork Bottom		前油压脚	2

Ref.No./图号	Part No./零件编号	Part Name /	零件名称	Qty/数量
36-A	CX103601	Fork Spring Post	前液压弹簧定位	2
36-B	CX103602	Fork Shock Inner Shaft	前液压芯轴	2
37-A	CX103701	Fork Upper Plug	前液压盖(顶)	2
37-B	CX103702	Fork Bottom Plug	前液压盖(底)	2
37-C	CX103703	Fork body	前液压管身	2
38	CX103801	Steering Pivot	转向臂	1
39-B	CX103902	Frame Post	车架支柱	1
39-D	CX103904	Frame Post	车架支柱	1
40	CX104002	Shock Absorber Post	后减震固定柱	1
41	CX104101	Fork Shock Shaft	前液压芯套	2
42	CX204205	Front Wheel Shaft	前轮轴	1
42-A	CX104201	Steering Shaft	转向固定柱	1
42-D	CX104204	Swing Arm Shaft	波箱轴	1
44	CX104401	Shock Absorber	后减震	1
45	CX104501	Fork Spring	前液压弹簧	2
50	CX205001	Rider Post	公仔固定柱	1
51	CX205101	Exhaust Pipe	排烟管	1
52	CX205201	Rider	骑士	1
53	CX205301	Exhaust Pipe	排烟管	1
60	CX306001	Belt Pulley 1	皮带轮1配件	1
62	CX206202	Steering Rod Gasket	转向推杆	1
64-L	CX206401	Body Shell Post	车壳固定座	1
64-R	CX206402	Body Shell Post	车壳固定座	1
65	CX106501	Slider Roller Post	防倾杆滚轮定位	2
66	CX206601	ESC Switch Cover	电调开关盖	1
67	CX106701	Servo tray	舵机固定片(薄)	4
67-B	CX106702	Body Shell Post	车壳柱	1
68	CX206801	17T Gear	17T马达齿	1
69	CX206901	R Clip	R扣	6
70	CX107001	Steering Slide	转向推杆配件	1

Ref.No./图号	Part No./零件编号	Part Name /	零件名称	Qty/数量
71	CX107101	Exhaust Pipe Fixed Mount	排气管固定座	1
72	CX107201	Steering Arm	转向拉杆	1
73	CX107301	Side Slider Arm	防倾杆	2
74	CX107401	Side Slider Arm Post	防倾杆固定座	2
76	CX107601	Side Frame Plate Post	车架侧板定位柱	2
77	CX107702	Steering Spring	转向拉杆弹簧	2
78	CX107802	Brake Disc Holder	刹车碟托	2
79	CX207901	Handle	把手	1
80	CX108001	Exhaust Pipe	排气管	1
81	CX108101	Front Fender	前挡泥板	1
82	CX108201	Rear Fender	后轮挡泥板	1
85	CX108501	Handle Arm	把手杆	1
86	CX108601	Slider Roller	滚轮	2
87	CX108701	Steering Spring	转向推杆弹簧	1
89	CX208901	Body Lower Shell	车壳(下)	1
90	CX209001	Body Upper Shell	车壳(上)	1
91	CX209101	Plastic Spacer	塑胶垫片	1
95	CX309501	Battery	电池	1
96	CX309601	ESC	电调	1
97	CX209703	Steering Servo	方向舵机	1
98	CX209801	sender	发射机	1
99	CX209901	Receiver	接收机	1
A#62	CX306201	Belt Pulley 1	皮带轮1配件	1
A#64	CX306401	Belt Pulley 2	皮带轮2配件	1
A#70	CX307001	Belt Pulley 2	皮带轮2配件	1
A#71-L	CX307101	Bike Stand	起步架左侧板	1
A#71-R	CX307102	Bike Stand	起步架右侧板	1
A#72	CX307201	Bike Stand	起步架底板	1
A#73	CX307301	Belt Pulley Sprocket	皮带轮10齿	1

Ref.No./图号	Part No./零件编号	Part Name	零件名称	Qty/数量
A#98	CX309801	Front Tire	前轮轮胎	1
A#99	CX309901	Rear Tire	前轮胎	1
100	CX110001	Servo Arm	舵机摇摆臂	1
102	CX210201	Motor	280有刷马达	1
103	CX210301	ESC	25A有刷电调	1
105	CX310501	Gyro Spacer	陀螺垫片	2
106	CX310601	Gyro Flywheel	陀螺钢锤	1
107	CX310701	Gyro Upper Cover	陀螺上盖	1
108	CX310801	Gyro Upper Cover	陀螺下盖	1
109	CX310901	Gyro Gear Cover	陀螺齿轮盖	1
110	CX311001	Gyro Centre Shaft	陀螺仪中轴	1
111	CX311102	Gyro Clutch	陀螺离合器	1
113	CX311301	Gyro Sprocket	陀螺连接齿	3
114	CX311401	Gyro Inner Gear	陀螺内齿	1
116	CX311601	Gyro Pin	陀螺内齿管销	1
117	CX311701	Motor Post	马达垫块	1
B/M1.6x4	B/M1.6x4	Socket Head ScrewM1.6x4	杯头螺丝M1.6x4	7
B/M1.6x6	B/M1.6x6	Socket Head ScrewM1.6X6	杯头螺丝M1.6x6	3
B/M2x5	B/M2x5	Socket Head ScrewM2x5	杯头螺丝M2x5	15
BL (F) /Ø6XØ3X2.5	BL (F) /Ø6XØ3X2.5	Flanged BearingØ6XØ3X2.5	法兰轴承Ø6XØ3X2.5	1
BL/Ø6XØ3X2.5	BL/Ø6XØ3X2.5	BearingØ6XØ3X2.5	轴承Ø6XØ3X2.5	5
BL/Ø7XØ3X3	BL/Ø7XØ3X3	BearingØ7XØ3X3	轴承Ø7XØ3X3	2
BL/Ø7xØ4x2.5	BL/Ø7xØ4x2.5	BearingØ7xØ4x2.5	轴承BLØ7xØ4x2.5	2
BL/Ø8XØ5X2.5	BL/Ø8XØ5X2.5	BearingØ8XØ5X2.5	轴承Ø8XØ5X2.5	6
FB/M2x4	FB/M2x4	Socket Head Self-tapping ScrewM2x4	自攻杯头螺丝M2x4	1
FB/M2x5	FB/M2x5	Socket Head Self-tapping ScrewM2x5	自攻杯头螺丝M2x5	7
FB/M2x6	FB/M2x6	Socket Head Self-tapping ScrewM2x6	自攻杯头螺丝M2x6	8
FB/M2x8	FB/M2x8	Socket Head Self-tapping ScrewM2x8	自攻杯头螺丝M2x8	8
FB/M2x12	FB/M2x12	Socket Head Self-tapping ScrewM2x12	自攻杯头螺丝M2x12	4

Ref.No./图号	Part No./零件编号	Part Name /	零件名称	Qty/数量
FB/M2x15	FB/M2x15	Socket Head Self-tapping ScrewM2x15	自攻杯头螺丝M2x15	2
FB/M2x20	FB/M2x20	Socket Head Self-tapping ScrewM2x20	自攻杯头螺丝M2x20	3
FP/M2x5	FP/M2x5	Socket Head Self-tapping ScrewM2x5	自攻平头螺丝M2x5	13
FP/M2x10	FP/M2x10	Socket Head Self-tapping ScrewM2x10	自攻平头螺丝M2x10	1
JM/M2X3	JM/M2X3	grainsM2X3	机米M2X3	2
JM/M3X3	JM/M3X3	grainsM3x3	机米M3X3	7
JM/M3x12	JM/M3x12	grainsM3x12	机米M3x12	2
M2 (S)	M2 (S)	Nut M2	螺母M2	6
Ø3*2.5*2	Ø3*2.5*2	Spacer3X2.5X2	灰色沉头介子3X2.5X2	2
Ø5XØ2.5x0.5	Ø5XØ2.5x0.5	SpacerØ5XØ2.5x0.5	垫片Ø5XØ2.5x0.5	2
Ø7xØ3x1	Ø7xØ3x1	Spacer	金属垫片	1
P/M2X5	P/M2X5	Flat head screwM2x5	平头螺丝M2X5	13
P/M3X10	P/M3X10	Flat head screwM3X10	平头螺丝P/M3X10	2
R/M1.7X5	R/M1.7X5	Round Head ScrewM1.7X5	圆头螺丝M1.7X5	3
R/M2.5X4	R/M2.5X4	Round Head ScrewM2.5X4	圆头螺丝M2.5X4	2
R/M3X20	R/M3X20	Round Head ScrewM3X20	圆头螺丝M3X20	3
SM2.5	SM2.5	Non-slip Nut	防滑螺母	2

【Trouble Shooting /常见故障排除】

Trouble	The motorcycle does not move	The motorcycle is out of control	Short run time	Poor performance of the motorcycle
Possible Reasons	Battery in motorcycle or transmission is no power. Motor may be broken. ESC does not work. The setting of transmitter or ESC may be wrong.	Transmitter or antenna may be broken. The motorcycle may be out of range from transmitter. Power of the transmitter is weak or dead.	Battery may be damaged. Charger may be damaged. Battery is not with full power.	Suspension may not run freely. The steering may be damaged. Chain may be too loose or too tight. The screw of frame may be loose.
故障现象	摩托车没有动力	摩托车不受控制	摩托车跑动时间短	摩托车性能低
原因分析	摩托车电池或遥控器损坏； 马达损坏； 电调不工作； 遥控器或电调设置错误； 电池,马达和接收机没正确接线。	遥控器或天线损坏； 摩托车跑出遥控控制范围； 遥控器没电或电池电量不足。	电池可能损坏； 电池未充满。	避震缓冲功能存在问题； 舵机损坏； 摩托车链条过松或过紧； 车身的螺丝松脱。



X-RIDER MODEL COMPANY LIMITED

骑士模型有限公司

www.cx3rider.com

Unit 705, Sea View Plaza, 283 Shaukiwan Road, Hong Kong

香港筲箕湾道283号海景广场7字楼705室

Tel / 电话 : +852-5261 8511

Email / 邮箱 : Info@cx3rider.com

@Copyright 2016 X-RIDER

04072016-01Version